



Structural Analysis & Design Software

www.dlubal.com



Abdulrzzak Ali, M.Sc.
Presenter

Marketing & Public Relations
Dlubal Software GmbH

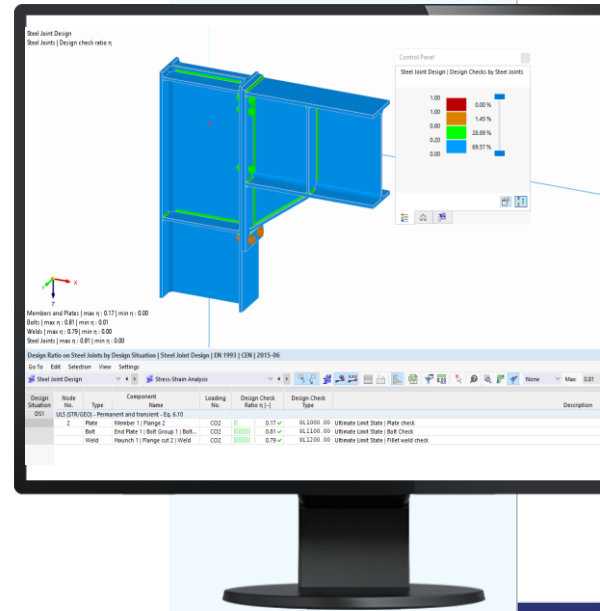


Irena Kirova, M.Sc.
Moderator

Marketing & Customer Support
Dlubal Software GmbH

Webinar

Analysis of Steel Joints Using FE Model in RFEM 6



Questions During the Presentation



GoToWebinar Control Panel
Desktop



E-mail: info@dlubal.com



Show or hide control panel



File View Help

Audio

Sound Check [Green bar] ?

Computer audio
 Phone call

MUTED

Mikrofon (2- Sennheiser USB h...)

Lautsprecher (2- Sennheiser U...)

Questions

[Enter a question for staff]

Send

Webinar ID: 373-901-987

GoToWebinar



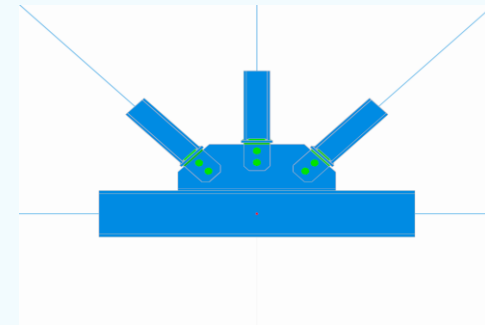
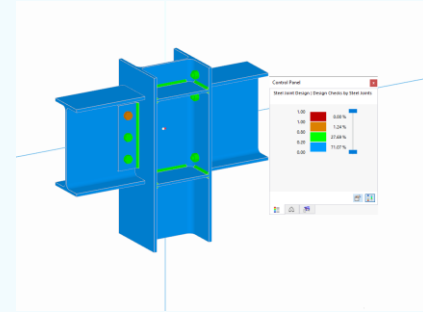
Adjust audio settings

Ask questions



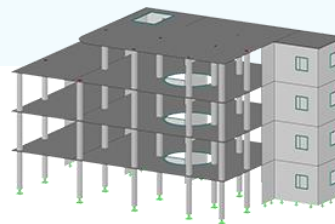
CONTENT

- 01** Definition of the steel joint components using the library
- 02** Manual definition of steel joint components
- 03** Structural and stability analysis
- 04** Evaluation of results and documentation



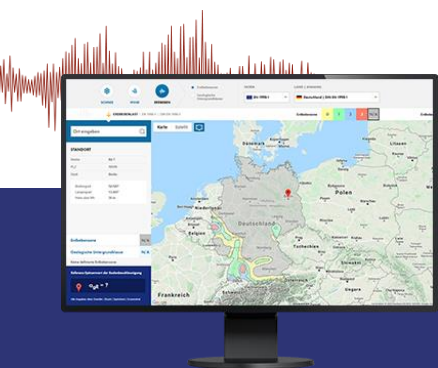


Free Online Services



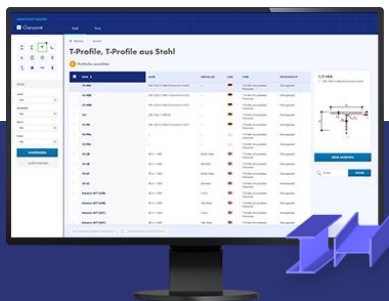
Geo-Zone Tool

Dlubal Software provides an online tool with snow, wind and seismic zone maps.



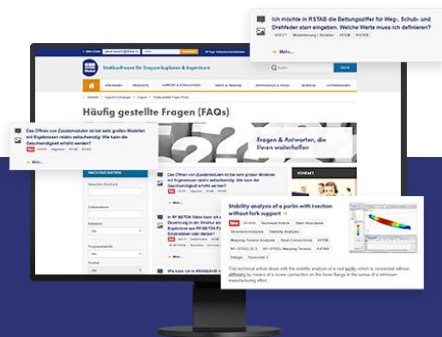
Cross-Section Properties

With this free online tool, you can select standardized sections from an extensive section library, define parametrized cross-sections and calculate its cross-section properties.



FAQs & Knowledge Base

Access frequently asked questions commonly submitted to our customer support team and view helpful tips and tricks articles to improve your work.



Models to Download

Download numerous example files here that will help you to get started and become familiar with the Dlubal programs.

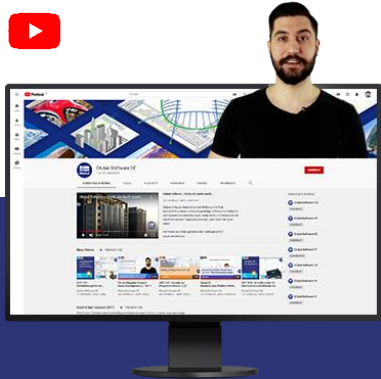




Free Online Services

Youtube Channel - Webinars, Videos

Videos and webinars about the structural engineering software.



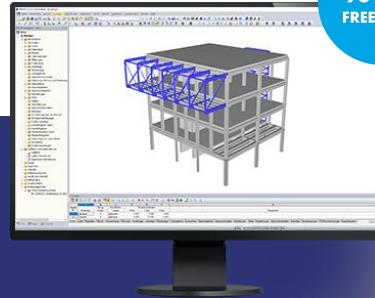
Webshop with Prices

Configure your individual program package and get all prices online!



Trial Licenses

The best way how to learn using our programs is to simply test them for yourself. Download a 90-day free trial version of our structural analysis & design software.



We offer free support via email and chat



— Get Further Details About Dlubal



Visit website
www.dlubal.com

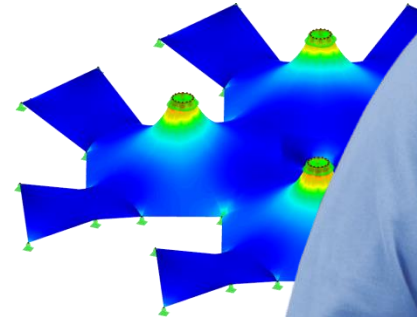
- Videos and recorded webinars
- Newsletters
- Events and conferences
- Knowledge Base articles



See Dlubal Software in action in a webinar



Download free trial license



Dlubal Software GmbH
Am Zellweg 2,
93464 Tiefenbach, Germany

Phone: +49 9673 9203-0
E-mail: info@dlubal.com



www.dlubal.com