



Structural Analysis & Design Software

www.dlubal.com



Amy Heilig, PE

Presenter

CEO - USA Office



Alex Bacon, EIT

Moderator

Technical Support Engineer



Cisca Tjoa, PE

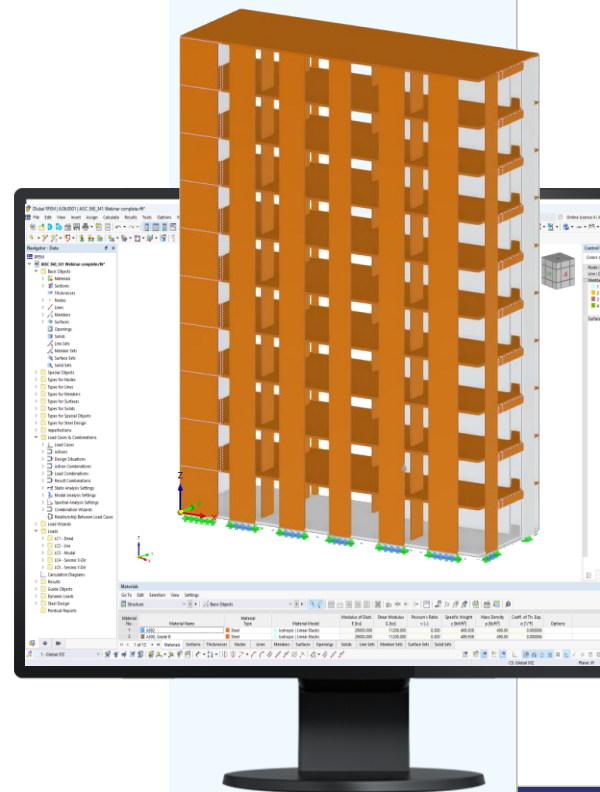
Moderator

Technical Support Engineer



Webinar

CSA O86:19 CLT Building Design in RFEM 6



Questions During the Presentation



GoToWebinar Control Panel
Desktop



Show or hide control panel



File View Help

Audio

Sound Check [Progress Bar] ?

Computer audio
 Phone call

MUTED

Questions

[Enter a question for staff]

Send

Webinar ID: 373-901-987

GoToWebinar



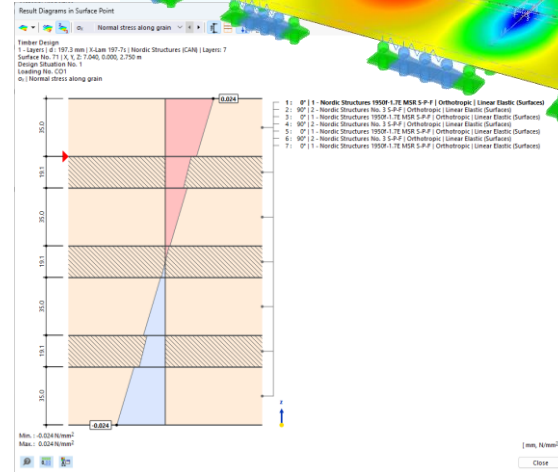
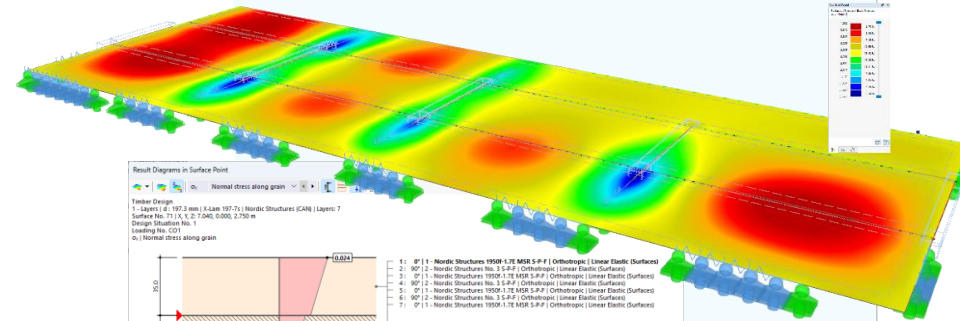
Adjust audio settings

Ask questions

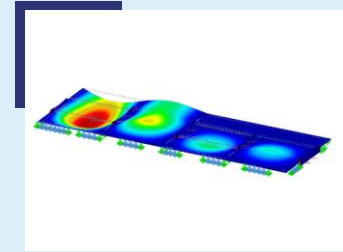
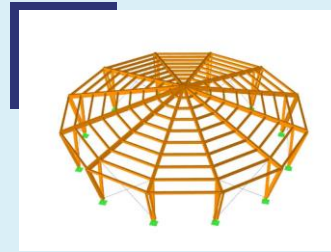


Content

- 01 Introduction to RFEM 6 and Add-ons for mass timber design
- 02 Example 1: CLT floor (gravity only)
- 03 Modeling, loading, design (ULS, SLS, Fire), and modal analysis
- 04 Example 2: CLT hybrid multi-story building (lateral and gravity)
- 05 Building features, diaphragms, shear walls, and design



Mass Timber Design in RFEM 6



RFEM 6

**Multilayer
Surfaces Add-on**

**Timber Design
Add-on**

Optional
**Modal Analysis
Add-on**
**Building Model
Add-on**

Shear Failure Modes

Options for CLT

Design for failure of net section and failure in glued contact surface

Plank width

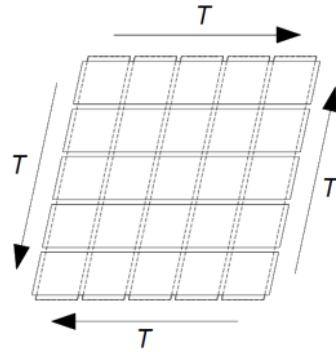
b_x 100.0 [mm]

b_y 100.0 [mm]

Plank width including gap

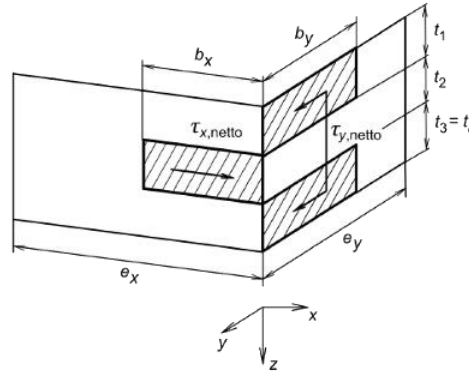
e_x 100.0 [mm]

e_y 100.0 [mm]



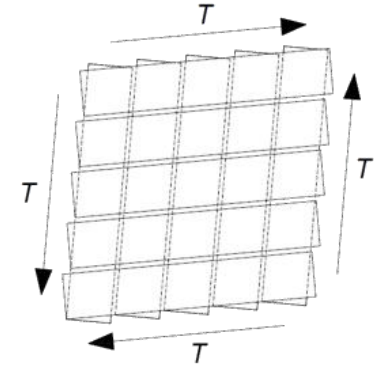
Failure Mechanism 1

Failure parallel to the grain of gross cross-section



Failure Mechanism 2

Failure perpendicular to the grain of net cross-section



Failure Mechanism 3

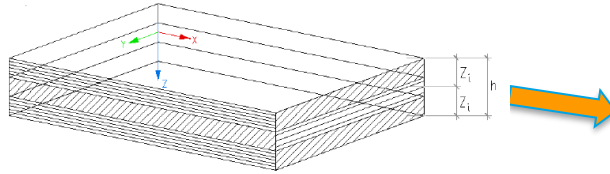
Failure of orthogonally crossing boards (torsion)

Multilayer Surfaces Add-on

1. Each layer's stiffness is defined.

$$d_i = \begin{pmatrix} d_{i,11} & d_{i,12} & 0 \\ d_{i,22} & d_{i,22} & 0 \\ sym & & d_{i,33} \end{pmatrix} = \begin{pmatrix} \frac{E_x}{1-\nu_{xy}^2} & \frac{\nu_{xy} E_y}{1-\nu_{xy}^2} & 0 \\ \frac{\nu_{xy} E_x}{1-\nu_{xy}^2} & \frac{E_y}{1-\nu_{xy}^2} & 0 \\ sym & & G_{i,xy} \end{pmatrix}$$

2. Overall stiffness matrix is created.

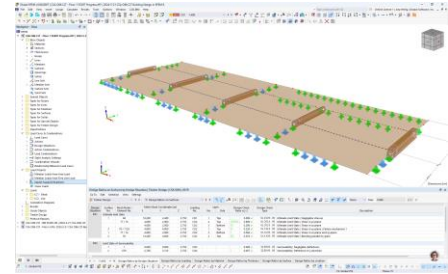


$$D_{11} = \sum_{i=1}^n \frac{z_i^3 - z_{i,min}^3}{3} d_{i,11}$$

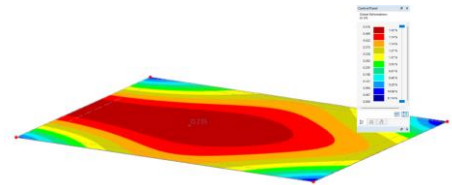
5. Stresses are distributed to each layer.

$$\epsilon(z) = \begin{pmatrix} \epsilon_x \\ \epsilon_y \\ \gamma_{xy} \end{pmatrix} = \begin{pmatrix} \frac{\partial u}{\partial x} \\ \frac{\partial v}{\partial y} \\ \frac{\partial u}{\partial y} + \frac{\partial v}{\partial x} \end{pmatrix} + z \begin{pmatrix} \frac{\partial \varphi_y}{\partial x} \\ -\frac{\partial \varphi_x}{\partial y} \\ \frac{\partial \varphi_y}{\partial y} - \frac{\partial \varphi_x}{\partial x} \end{pmatrix}$$

3. Export to RFEM.



4. Internal forces are analyzed.



— Dlubal Software Information



Visit website
www.dlubal.com

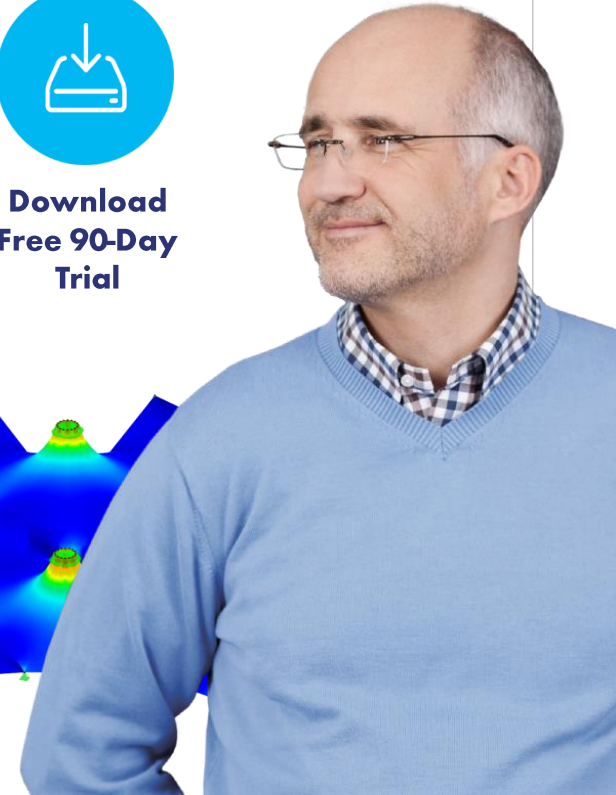
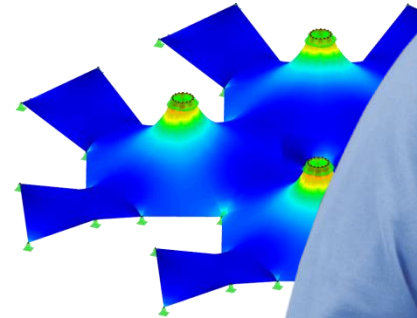
- Videos and recorded webinars
- Events and conferences
- Knowledge Base articles
- FAQs



Register for
Online
Training



Download
Free 90-Day
Trial



Dlubal Software, Inc.
30 South 15th Street
15th Floor
Philadelphia, PA 19102

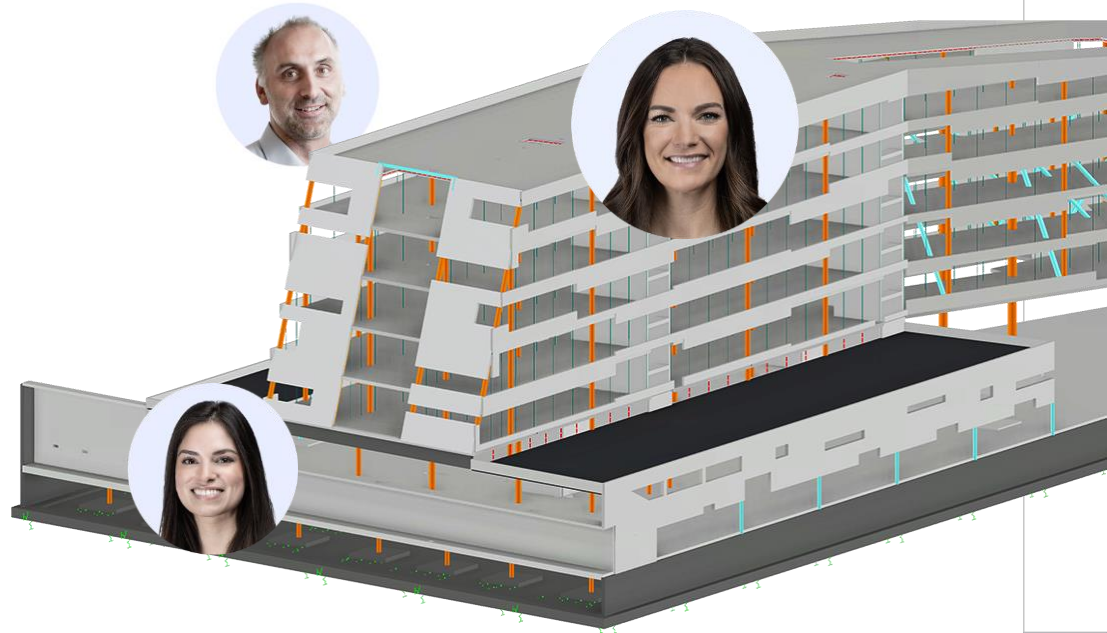
Phone: (267) 702-2815
Email: info-us@dlubal.com

Schedule an Online Demo with Us!

Gain valuable insight from one of our experts.



Contact Our
Sales Team



Dlubal Software, Inc.
30 South 15th Street
15th Floor
Philadelphia, PA 19102

Phone: (267) 702-2815
Email: info-us@dlubal.com



Webinars and PDH

Upcoming Webinars

- 1 Register www.dlubal.com
- 2 Support & Learning
→ Webinars 
- 3 Registration through email

PDH Certificates

- 1 Automatically emailed to participants
- 2 Available for the full presentation
- 3 Additional attendees request PDH to info-us@dlubal.com





www.dlubal.com