



Structural Analysis & Design Software

www.dlubal.com



Dipl.-Ing. (FH) Andreas Hörold
Organizer

Marketing & Public Relations
Dlubal Software GmbH

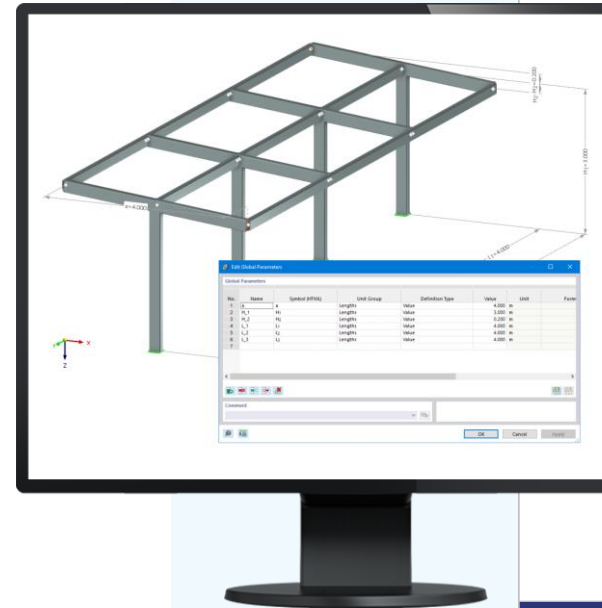


Sonja von Bloh, M.Sc.
Co-Organizer

Product Engineering & Customer Support
Dlubal Software GmbH

Webinar

Model and Design Aluminum Structures in RFEM 6 / RSTAB 9



Questions During the Presentation



GoToWebinar Control Panel
Desktop



E-mail: info@dlubal.com



Show or hide control panel



The screenshot shows the GoToWebinar control panel interface. At the top, there is a menu bar with 'File', 'View', and 'Help'. Below it is the 'Audio' section, which includes a 'Sound Check' indicator with a green bar and a question mark. There are two radio buttons: 'Computer audio' (selected) and 'Phone call'. A red 'MUTED' indicator is visible. Below this, there are dropdown menus for 'Mikrofon (2- Sennheiser USB h...)' and 'Lautsprecher (2- Sennheiser U...'. A volume slider is also present. The 'Questions' section is below the audio settings, featuring a text input field with the placeholder '[Enter a question for staff]' and a 'Send' button. At the bottom, the 'Webinar ID: 373-901-987' and the 'GoToWebinar' logo are displayed.



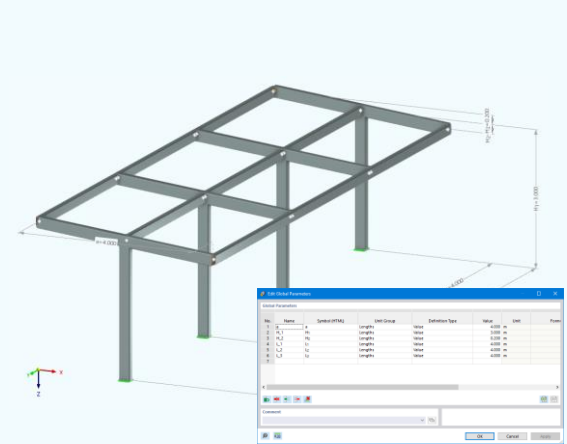
Adjust audio settings

Ask questions



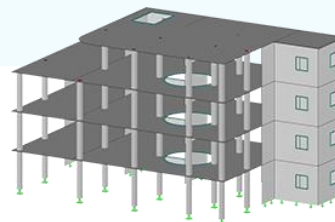
CONTENT

- 01 Create an aluminum structure using dynamic blocks**
- 02 Load input, combinatorics**
- 03 Design the aluminum structure according to Eurocode 9**
- 04 Printout report documentation**



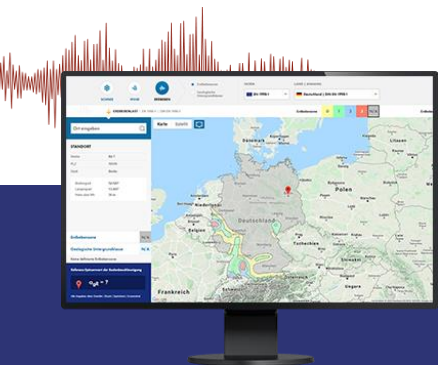


Free Online Services



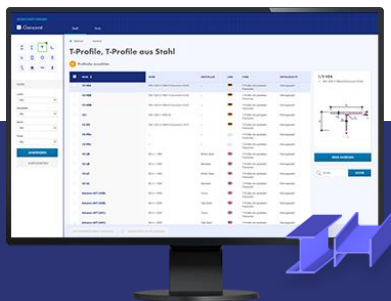
Geo-Zone Tool

Dlubal Software provides an online tool with snow, wind and seismic zone maps.



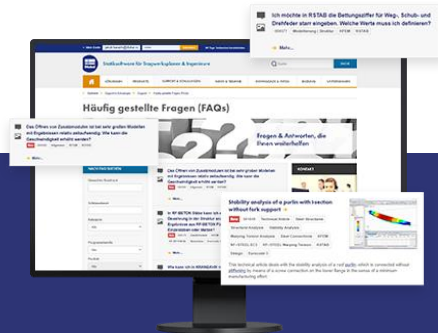
Cross-Section Properties

With this free online tool, you can select standardized sections from an extensive section library, define parametrized cross-sections and calculate its cross-section properties.



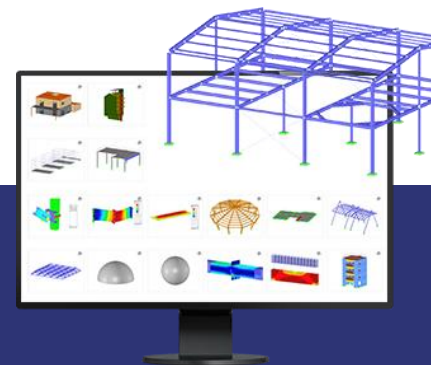
FAQs & Knowledge Base

Access frequently asked questions commonly submitted to our customer support team and view helpful tips and tricks articles to improve your work.



Models to Download

Download numerous example files here that will help you to get started and become familiar with the Dlubal programs.

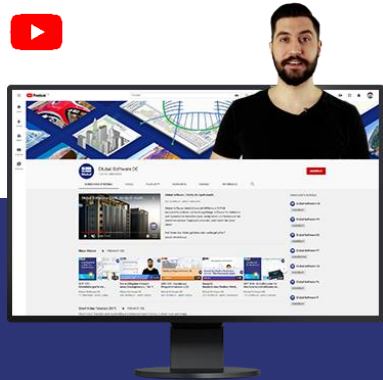




Free Online Services

Youtube Channel - Webinars, Videos

Videos and webinars about the structural engineering software.



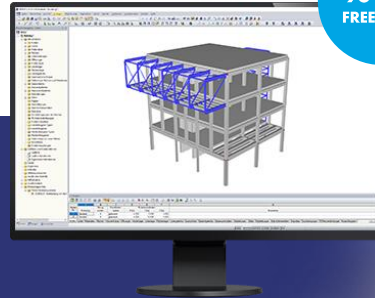
Webshop with Prices

Configure your individual program package and get all prices online!



Trial Licenses

The best way how to learn using our programs is to simply test them for yourself. Download a 90-day free trial version of our structural analysis & design software.



We offer free support via email and chat



— Get Further Details About Dlubal



Visit website
www.dlubal.com

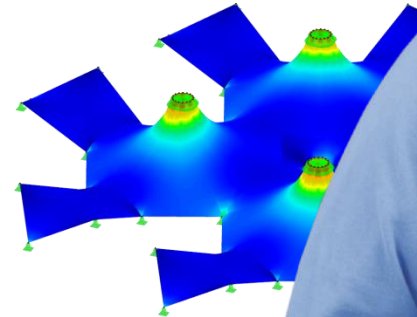
- Videos and recorded webinars
- Newsletters
- Events and conferences
- Knowledge Base articles



See Dlubal Software in action in a webinar



Download free trial license



Dlubal Software GmbH
Am Zellweg 2,
93464 Tiefenbach, Germany

Phone: +49 9673 9203-0
E-mail: info@dlubal.com



www.dlubal.com