



Structural Analysis & Design Software



www.dlubal.com



Amy Heilig, PE
Presenter

CEO - USA Office



Alex Bacon, EIT
Moderator

Technical Support Engineer



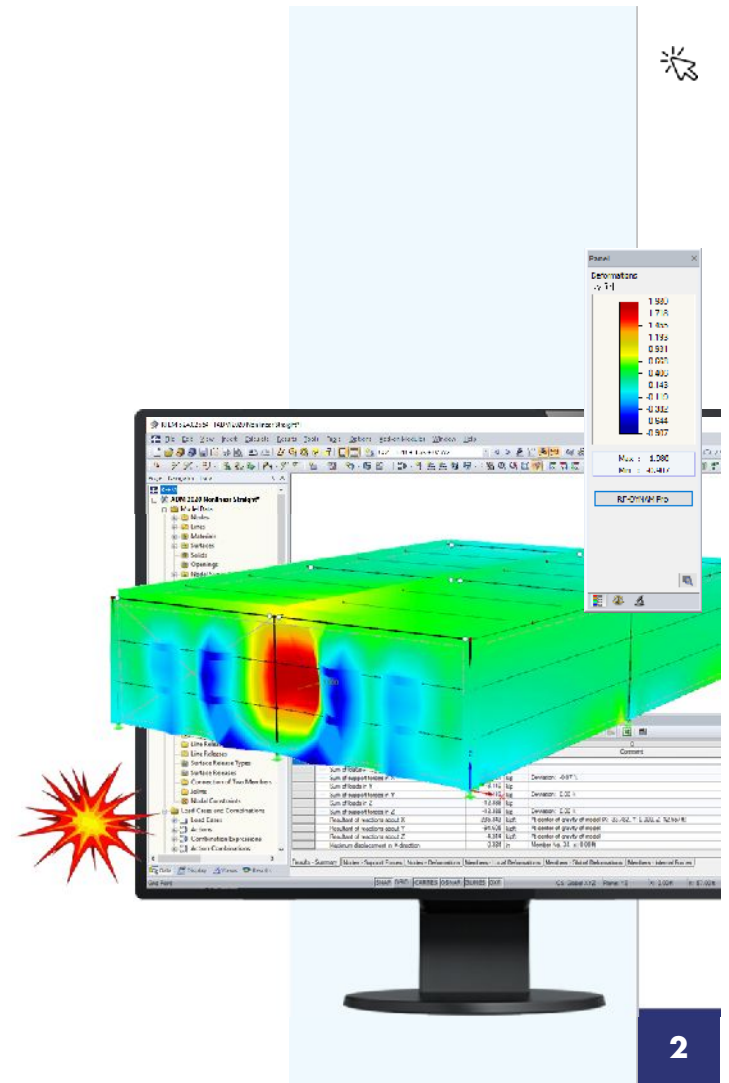
Cisca Tjoa, PE
Moderator

Technical Support Engineer



Webinar

Blast Time History Analysis in RFEM



Questions During the Presentation



GoToWebinar Control Panel Desktop



The screenshot shows the GoToWebinar control panel interface. Three blue callout boxes with arrows point to specific features:

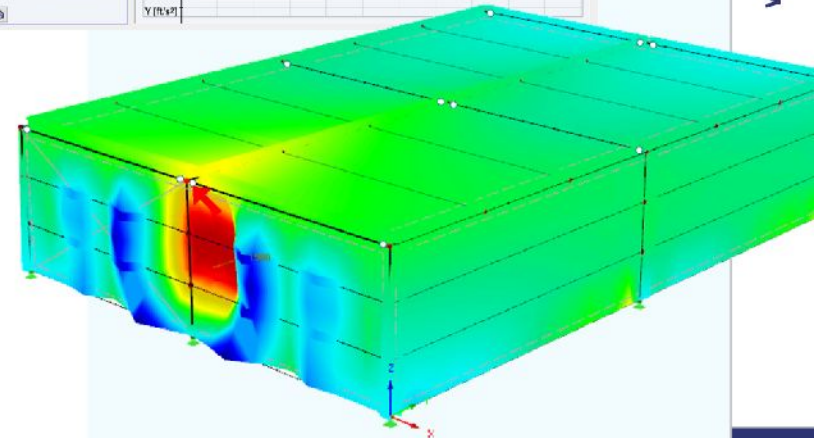
- Show or hide control panel:** Points to the left-hand sidebar containing icons for audio, chat, and other controls.
- Adjust audio settings:** Points to the 'Audio' section, which includes options for 'Computer audio' and 'Phone call', a 'MUTED' indicator, and dropdown menus for 'Mikrofon' and 'Lautsprecher'.
- Ask questions:** Points to the 'Questions' section, which features a text input field with the placeholder '[Enter a question for staff]' and a 'Send' button.

At the bottom of the control panel, the 'Webinar ID: 373-901-987' and the 'GoToWebinar' logo are visible.



Content

- 01 Blast loading concept
- 02 Blast time history example in RFEM
- 03 Natural vibration analysis utilizing RF-DYNAM PRO – Natural Vibrations
- 04 Linear time history analysis utilizing RF-DYNAM PRO – Forced Vibrations
- 05 Nonlinear time history analysis with RF-DYNAM PRO – Nonlinear Time History
- 06 Structure response and results evaluation

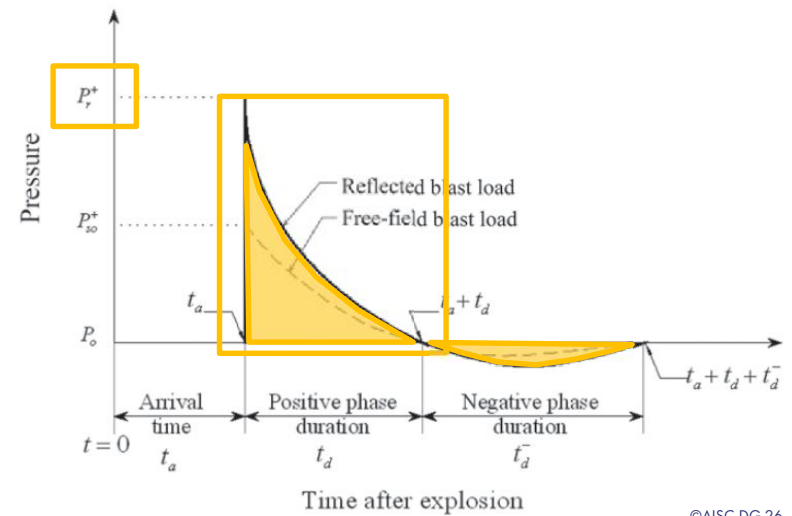




Blast Load Application

Idealized pressure-time history for blast load

- Peak overpressure (pressure above ambient atmospheric pressure) is an instantaneous pressure arriving at structure
- Positive phase duration is time period for pressure to return to ambient
- Positive impulse is total pressure-time energy applied during positive duration (area under curve)
- Negative phase duration, energy, impulse follows positive phase (pressure falls below atmospheric pressure)



©AISC DG 26

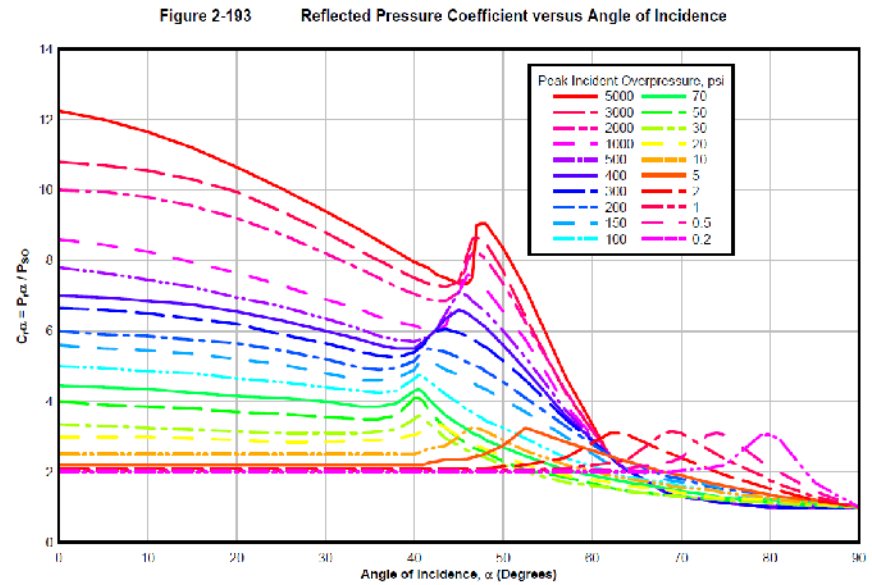
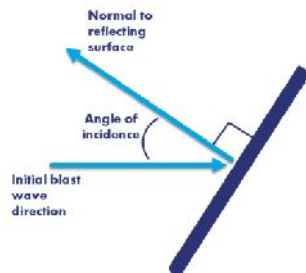




Blast Load Application (cont'd)

- **Free-field (side-on) blast load**
 - Blast load travels parallel to a surface
 - Sweep over the surface with no impeding objects
 - Subscript "so" used for side-on
- **Reflected blast load**
 - Blast load strikes an angled surface other than parallel

$$P_r = C_r P_{so}$$



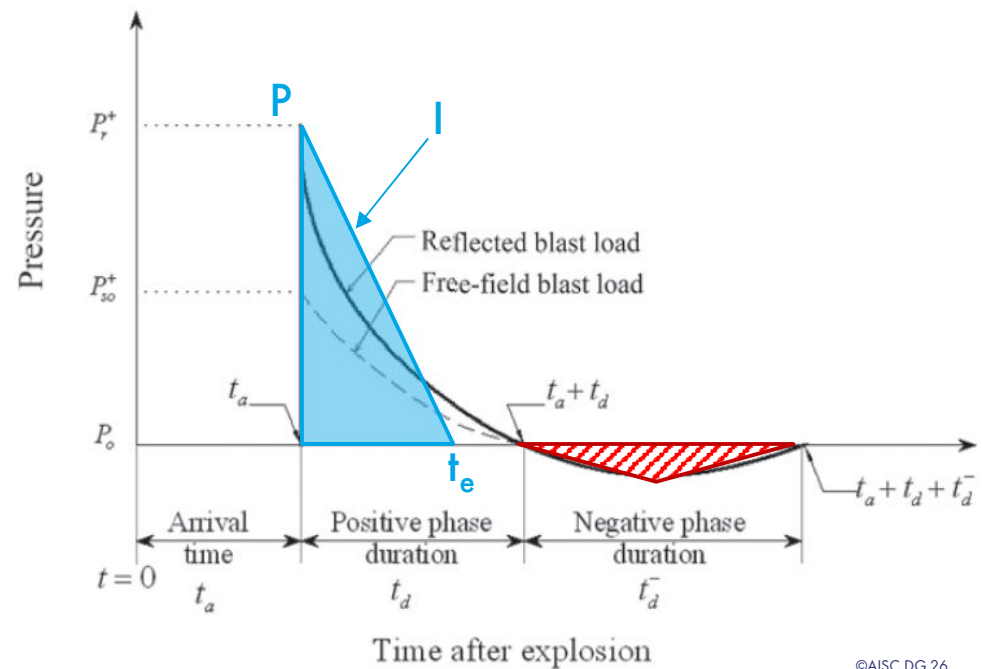
©UFC 3-340-02





Blast Load Simplification

- **Pressure-time history positive phase**
 - Simplified to a triangular distribution w/ instantaneous rise and linear decay
 - Peak pressure and impulse are preserved
 - Fictitious duration, $t_e = 2(I/P)$
- **Pressure-time history negative phase**
 - Neglected for this demonstration
 - Considered when elements are weaker in the reverse loading direction or for short natural periods compared to the load duration
- **Other considerations**
 - Drag forces due to wind (dynamic) pressures
 - Large openings to account for interior loads due to leakage
 - Shielding (load reduction) and reflection (load amplification)



©AISC DG 26



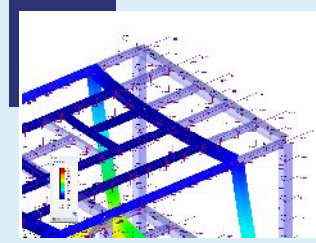


Dynamic Analysis Method Application in RFEM



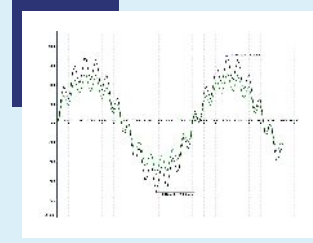
RF-/DYNAM Pro Natural Vibrations

- Prerequisite Modal Analysis



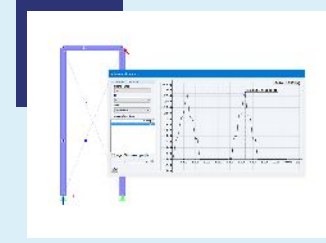
RF-/DYNAM Pro Equivalent Loads

- Response Spectrum Analysis



RF-/DYNAM Pro Forced Vibrations

- Limited RSA
- Accelerograms
- Linear Time History



RF-/DYNAM Pro Nonlinear Time History

- Accelerograms
- Nonlinear Time History



— AISC DG 26 – Example 2.1

Given:

- One-story steel building ; 50 ft x 70 ft x 15 ft
- Short direction – braced frames ; long direction – rigid frames
- Hot rolled sections ; ribbed metal panels
- Blast $W = 500 \text{ lb}$; $R = 50 \text{ ft}$ from structure

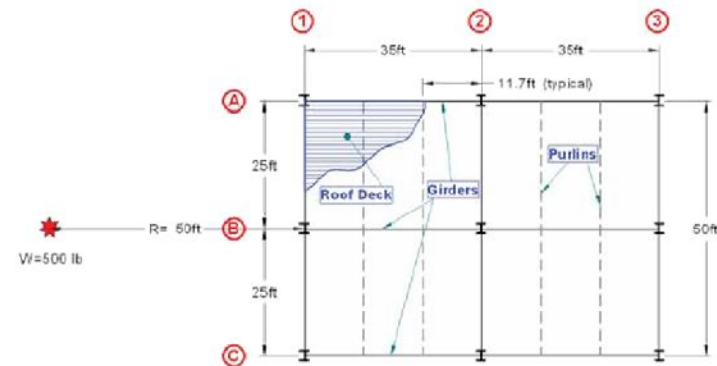


Fig. 2-9. Steel building—plan view.



Fig. 2-10. Steel building—elevation.

©AISC DG 26



AISC DG 26 – Example 2.1 (cont'd)

Solution:

- Scaled distance

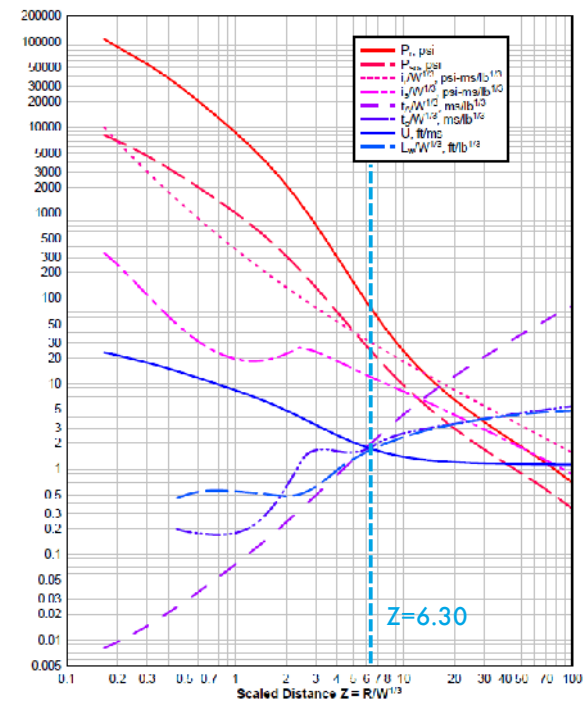
$$Z = \frac{R}{\sqrt[3]{W}} = \frac{50 \text{ ft}}{\sqrt[3]{500 \text{ lb}}} = 6.3 \frac{\text{ft}}{\text{lb}^{1/3}}$$

- Parameters for blast loading (UFC 3-340-02)

Blast Loading Parameters	From Figure 2-15	Calculated
Reflected peak pressure (+)	$P_r = 79.5 \text{ psi}$	—
Side-on peak pressure (+)	$P_{so} = 24.9 \text{ psi}$	—
Reflected impulse (+)	$I_r = 31.0W^{1/3}$	$I_r = 246 \text{ psi ms}$
Side-on impulse (+)	$I_{so} = 12.1W^{1/3}$	$I_{so} = 96.0 \text{ psi ms}$
Time of arrival	$t_a = 1.96W^{1/3}$	$t_a = 15.6 \text{ ms}$
Exponential load duration (+)	$t_d = 1.77W^{1/3}$	$t_d = 14.0 \text{ ms}$
Shock front velocity	$U = 1.75 \text{ ft/ms}$	—



Figure 2-15 Positive Phase Shock Wave Parameters for a Hemispherical TNT Explosion on the Surface at Sea Level



©UFC 3-340-02



AISC DG 26 – Example 2.1 (cont'd)

Reflected pressure (front wall):

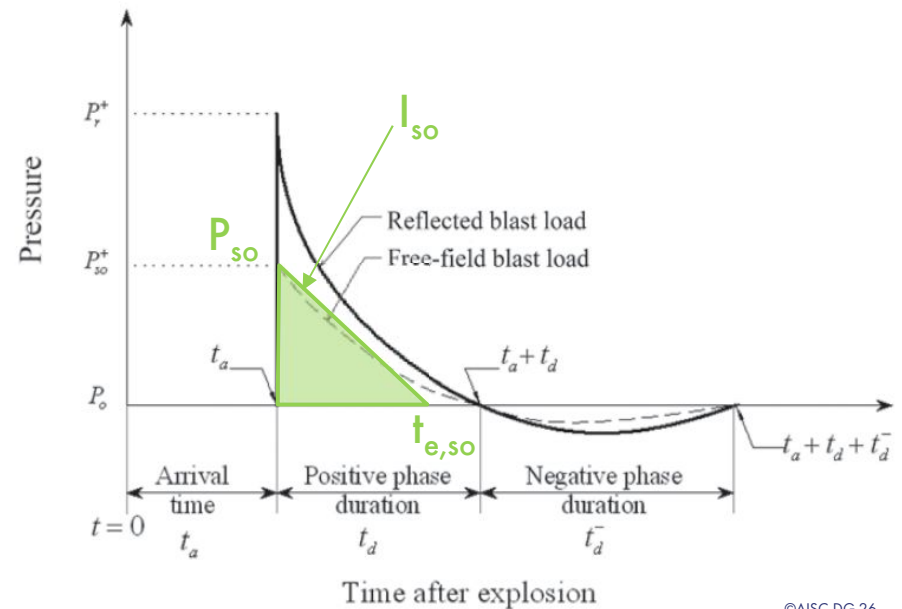
- Equivalent triangular shape with peak pressure (P_r) and impulse (I_r) values are preserved
- Equivalent duration for positive phase blast load for reflected pressure

$$t_{e,r} = \frac{2I_r}{P_r} = \frac{2(246 \text{ psi ms})}{29.5 \text{ psi}} = 6.19 \text{ ms}$$

Side-on pressure (side wall and roof):

- Simplicity, use scaled distance, Z = front wall centerline for side walls and roof
- Equivalent duration for positive phase blast load for side-on pressure

$$t_{e,so} = \frac{2I_{so}}{P_{so}} = \frac{2(96.0 \text{ psi ms})}{24.9 \text{ psi}} = 7.71 \text{ ms}$$



©AISC DG 26



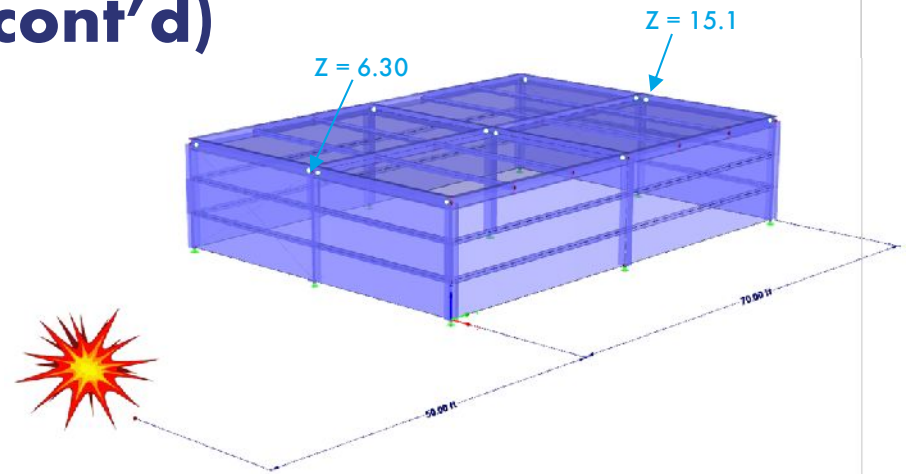


AISC DG 26 – Example 2.1 (cont'd)

Rear Wall

- Charge distance, $R = 50 \text{ ft} + 70 \text{ ft} = 120 \text{ ft}$
- Scaled distance, $Z = \frac{R}{\sqrt[3]{W}} = \frac{120 \text{ ft}}{\sqrt[3]{500 \text{ lb}}} = 15.1 \frac{\text{ft}}{\text{lb}^{1/3}}$
- Parameters for blast loading (UFC 3-340-02)
- Equivalent duration for positive phase blast load for side-on pressure

$$t_{e,so} = \frac{2I_{so}}{P_{so}} = \frac{2(44.0 \text{ psi ms})}{4.60 \text{ psi}} = 19.1 \text{ ms}$$



Blast Loading Parameters	From Figure 2-15	Calculated
Side-on peak pressure (+)	$P_{so} = 4.60 \text{ psi}$	—
Side-on impulse (+)	$I_{so} = 5.54W^{1/3}$	$I_{so} = 44.0 \text{ psi ms}$
Time of arrival	$t_a = 8.32W^{1/3}$	$t_a = 66.0 \text{ ms}$
Exponential load duration (+)	$t_d = 3.11W^{1/3}$	$t_d = 24.7 \text{ ms}$
Shock front velocity	$U = 1.26 \text{ ft/ms}$	—





AISC DG 26 – Example 2.1 (cont'd)

Rear Wall (cont'd)

- Time of arrival, $t_a = 66.0$ ms
- Time to peak pressure, t_2

$$t_2 = \frac{L_1}{U} + t_a = \frac{15.0 \text{ ft}}{1.26 \text{ ft/ms}} + 66.0 \text{ ms} = 77.9 \text{ ms}$$

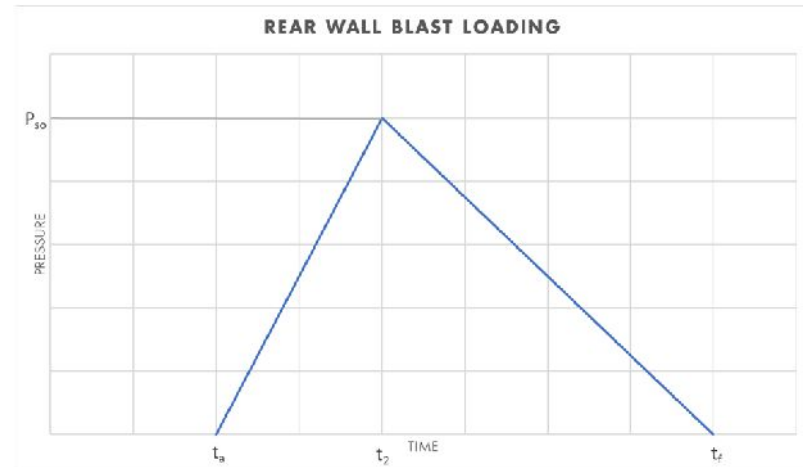
Where,

L_1 = span of element parallel to traveling wave
= building height (15 ft)

U = shock front velocity (UFC 3-340-02 Figure 2-15)

- Time to end of blast load (+), t_f

$$t_f = t_2 + t_{e,s0} = 77.9 \text{ ms} + 19.1 \text{ ms} = 97.0 \text{ ms}$$





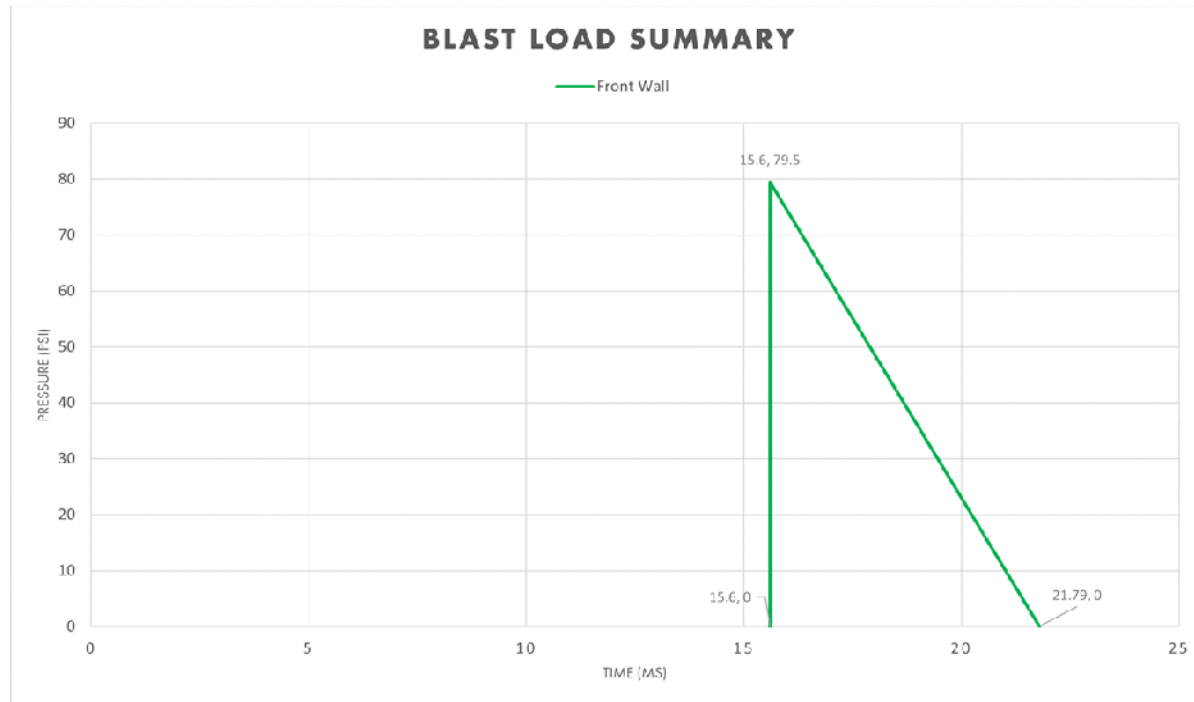
AISC DG 26 – Example 2.1 (cont'd)

Blast Load Summary

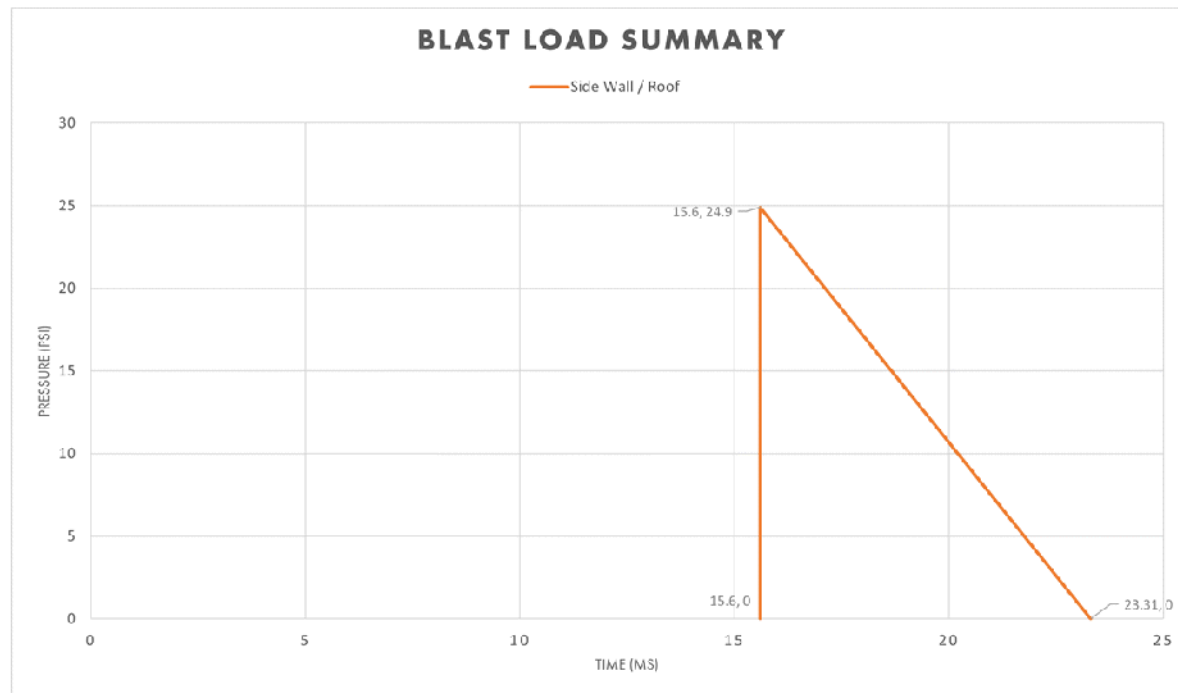
- Plot showing pressure vs. time of blast wave for front, side/roof, and rear walls
- Equivalent triangular loading function used over more exact loading function
- Negative phase of shock and other variables (dynamic pressure, openings, etc.) not included
- For simplicity, full side-on pressures computed for nonreflected surfaces (side walls, roof, rear wall) rather than load averaging techniques in UFC 3-340-02



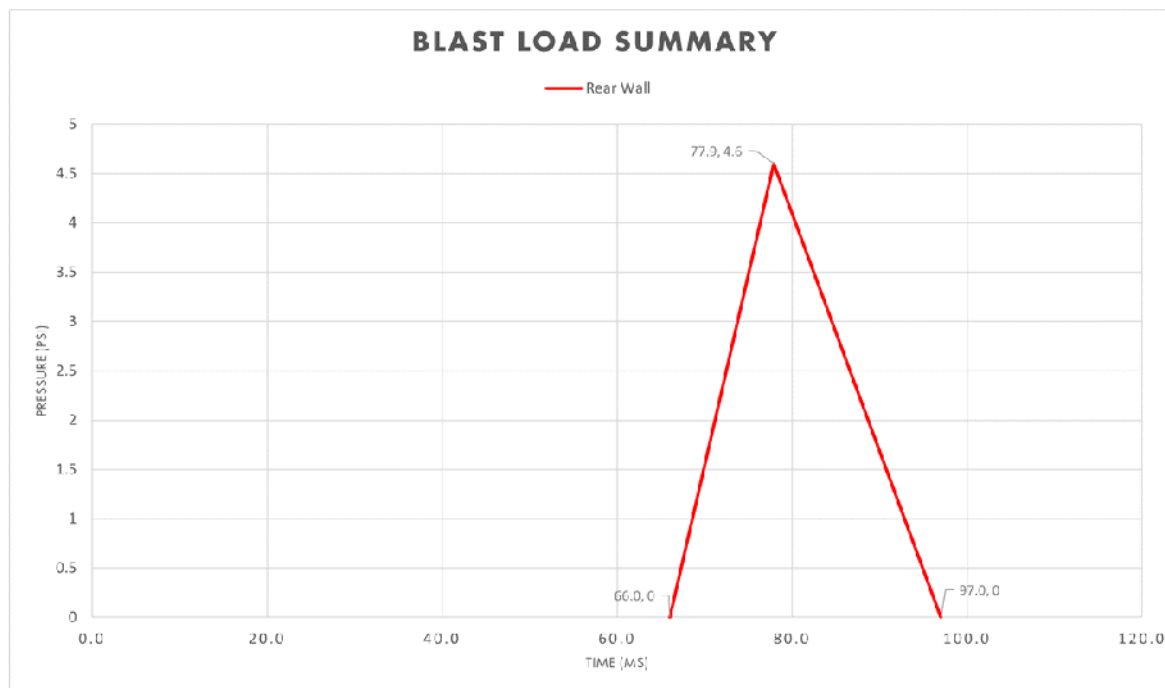
— AISC DG 26 – Example 2.1 (cont'd)



— AISC DG 26 – Example 2.1 (cont'd)



— AISC DG 26 – Example 2.1 (cont'd)



— Dlubal Software Information



Visit website
www.dlubal.com

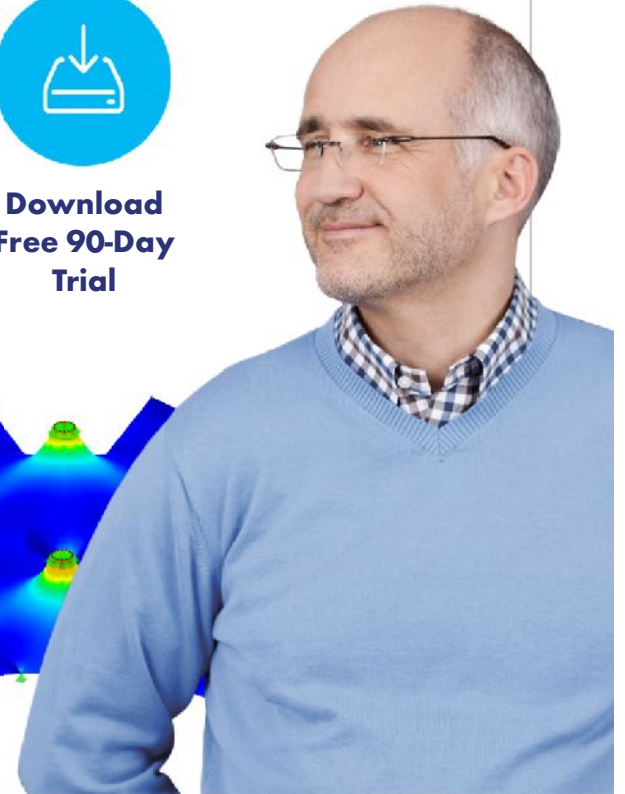
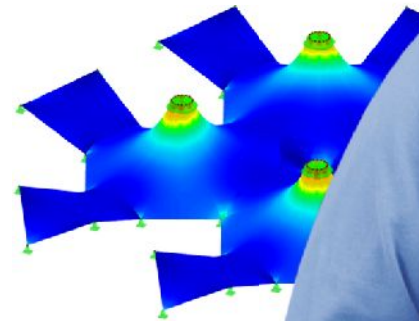
- Videos and recorded webinars
- Events and conferences
- Knowledge Base articles
- FAQs



Register for
Online
Training



Download
Free 90-Day
Trial



Dlubal Software, Inc.
The Graham Building, 30 South 15th Street,
15th Floor, Philadelphia, PA 19102

Phone: (267) 702-2815
E-mail: info-us@dlubal.com



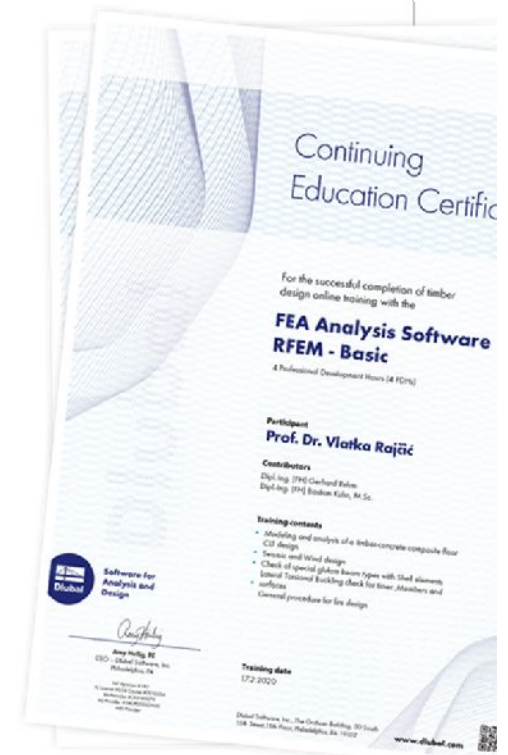
Webinars and PDH

Upcoming Webinars

- 1 Register www.dlubal.com
- 2 Support & Learning → Webinars 
- 3 Registration through email

PDH Certificates

- 1 Automatically emailed to participants
- 2 Available for the full presentation
- 3 Additional attendees request info-us@dlubal.com





www.dlubal.com